

**An archaeological evaluation by trial-trenching
at Area J1 of the Garrison Urban Village,
Colchester, Essex
September 2004**

**report prepared by
Ben Holloway and Howard Brooks**

**commissioned by RPS
on behalf of Taylor Woodrow**

CAT project code: 04/9d
Colchester Museums accession code: 2004.296
NGR: TL 9925 2445



Colchester Archaeological Trust
12 Lexden Road,
Colchester,
Essex CO3 3NF

tel.: (01206) 541051
tel/fax: (01206) 500124
email: archaeologists@catuk.org

CAT Report 288
October 2004

Contents

1	Summary	1
2	Introduction	1
3	Aims and objectives	1
4	Archaeological background	2
5	The trial-trenching	3
6	The finds	8
7	Discussion	10
8	Acknowledgements	11
9	References	12
10	Glossary and abbreviations	13
11	Archive deposition	14
	Appendix - Table 20: finds list	15

List of figures

- Fig 1 Trench locations.
- Fig 2 Trenches TJ10-TJ13: plans.
- Fig 3 Trenches TJ14-TJ21: plans.
- Fig 4 Trenches TJ22-TJ26: plans.
- Fig 5 Graves JF16, JF17 and JF20: plans.
- Fig 6 TJ11: cremation JF7; section and plans.
- Fig 7 TJ20: cremations JF51 and JF52; sections and plans.
- Fig 8 Section sheet 1.
- Fig 9 Section sheet 2.

1 Summary

This is the archive report on an archaeological evaluation of Area J1 of the planned urban village at Colchester Garrison, Colchester, Essex. The work was carried out by Colchester Archaeological Trust under the management of RPS as part of a programme of archaeological evaluation of areas of alienated land acquired by Taylor Woodrow for residential development.

Seventeen trenches were excavated, totalling 581m of trenching. Sixty-one features were recorded. Apart from modern disturbance and post-medieval ditches, the features dated to the Late Bronze Age or Early Iron Age, the Late Iron Age, and (mainly) the Roman period. Roman activity was concentrated in trenches TJ10, TJ11, TJ17, TJ19, TJ20, TJ23 and TJ24; this included demolition material and robbed-out wall lines on a similar alignment to those observed in Area C2, a metalled road sharing the alignment of that observed in Area C1, and a number of inhumation and cremation burials. A number of boundary ditches and trackway ditches were also recorded.

2 Introduction (Fig 1)

- 2.1 The proposed development of the alienated land at Colchester Garrison involves the redevelopment, primarily for residential use, of areas of the present Colchester Garrison and adjacent farmland formerly owned by the MoD. The construction of the new garrison over the next four years will allow a phased decanting of the existing Garrison personnel into the new garrison, thus facilitating phased release of the former Garrison areas. In response to the proposed development and redevelopment, a programme of further archaeological evaluation by means of trial-trenching was required. This work was undertaken by CAT in 2004 in Area J1 as a continuation of the partial evaluation of alienated land conducted by CAT in 2002 for *The new garrison composite environmental statement* (RPS 2002; CAT Report 206).
- 2.2 Area J1 is centred on National Grid Reference TL 9925 2445 and is located between Butt Road and Circular Road North, to the west of Abbey Field. The location is currently used by the Garrison Saddle Club as stables and paddocks. The Area J1 site gently slopes downwards from south-west to north-east. The paddock areas to the south-east of the current stables are entirely grass, as is much of the western third of the evaluation area. The remainder (that is not built on) is hard standing used by the Saddle Club and Sergeants' Mess for a car park. Drift geology of the area is predominantly sands and gravel. In places, this is in a clay matrix, and in some places is capped by cover loam.
- 2.3 The archaeological evaluation was commissioned by RPS on behalf of Taylor Woodrow and was carried out by the Colchester Archaeological Trust (CAT) under RPS project management. The project was monitored by the CBCAO and RPS.
- 2.4 The investigation followed a Written Scheme of Investigation (WSI) prepared by RPS in association with CAT, dated July 2004, and agreed by CBCAO (RPS 2004b). The WSI was produced in accordance with a research design prepared by RPS in 2004 (RPS 2004a). This report mirrors the standards and practices contained in Colchester Borough Council's *Guidelines on the standards and practice for archaeological fieldwork in the Borough of Colchester* (2002) and *Guidelines on the preparation and transfer of archaeological archives to Colchester Museums* (1999), and the Institute of Field Archaeologists' *Standards and guidance for archaeological field evaluation* (1999).

3 Aims and objectives

- 3.1 The aims and objectives of the archaeological evaluation were to assess the location, extent, date, character, condition, quality and importance of any surviving archaeological features or deposits which may be impacted by the development.
- 3.2 This information will inform any mitigation strategies that may be required ahead of or during development.
- 3.3 The results of previous excavations of Roman cemeteries in Colchester, in conjunction with similar work elsewhere in England, especially the south-east,

enable the following issues to be identified as research priorities for the Colchester Garrison Urban Village site (RPS 2004b):

- the identification of cemetery areas and family plots within them
- the origin and development of cemeteries and cemetery areas, especially in relation to fields and other parcels of land
- the date and nature of the transition from the rite of cremation to that of inhumation
- the extent to which different populations and social groupings within them can be distinguished through their funerary remains
- the characterisation of the population of Colchester and social groupings within it through the study of human remains
- grave goods as expressions of religious beliefs and superstition, and
- buildings, tombs and other structures (funerary and otherwise) within cemetery areas.

4 Archaeological background

- 4.1** The archaeological and historical setting of the proposed development has already been comprehensively explored in the desk-based assessment or DBA (CAT Report 97), and is only summarised here (ie the *oppidum* and cropmark sites), followed by information on the Roman burials and map evidence. This section is also based on CAT Report 206, RPS 2004a and RPS 2004b.
- 4.2** Much of the land to the south and west of the modern town centre of Colchester lies within the pre-Roman *oppidum* of Camulodunum. The surviving above-ground remains of the *oppidum* include some of the linear banks and ditches of the defensive dyke system that surrounded it. Centres of occupation, trackways, boundary ditches and roads have been identified from cropmarks. The Garrison PFI site occupies the eastern edge of the *oppidum* defined by the Berechurch Dyke which crosses the extreme south-east of the PFI site; Area J1 is located within the site of the pre-Roman *oppidum*.
- 4.3** As presently understood, the *oppidum* had two main centres of activity: at modern Gosbecks Farm (2km west of the PFI site), a Late Iron Age rural farmstead (possibly the home of Cunobelin), and at Sheepen (2km to the north of the PFI site), which was an industrial and trading centre. It is possible that other such centres existed within the *oppidum*. Apart from these two large centres, it is likely that there were other smaller sites, industrial or domestic, which await discovery within the *oppidum*, such as the one recorded at Kirkee McMunn Barracks (Shimmin 1998). The cropmarks within the Garrison PFI site may represent the trackways and field boundary ditches that are associated with such sites.
- 4.4** Over the southern part of the Garrison PFI site, a large number of cropmarks is recorded. Geophysical survey has partially confirmed and also added to the pattern of these cropmark features (CAT Report 184). Interpretation based on limited excavations would indicate that these are late prehistoric and/or Romano-British in date and represent the trackways, paddocks and field boundaries of a rural settlement. Overlapping of the cropmarks suggests that multiple phases of activity are represented.
- 4.5** In addition to the evidence of pre- and early Roman occupation and agriculture that is associated with the *oppidum*, the land to the immediately to the south of the Roman walled town includes the area of its southern extra-mural cemetery and therefore has a high potential to contain burials of a Roman date. A number of Roman burials have been recorded within the area of the Garrison PFI site in the 19th and 20th centuries. One of these discoveries was of three Roman burials, ie one in a lead coffin found in Mersea Road opposite the Officers' Mess in 1937 (Hull 1958, no 146a, UAD event no 1080, NGR TL 994 2432) and two cremations found in the bank of Mersea Road (Hull no 146a, UAD event no 1080, NGR TL 9940 2432). Roman graves have also been recorded to the south-east of Area E (the southern part of Abbey Field: Hull no 200, UAD event no 1099). The burials in the Abbey Field were previously noted by Hull during hut-building activities 'to the north of the military hospital' in 1939 (Hull nos 133 & 133, UAD event no 1073, EHCR nos

11893-11894, NGR TL 9960 2395). These recorded burials of the Roman southern extra-mural cemetery have been found over a wide area and the density of the burials appears to vary greatly. It would seem that areas of this cemetery were designated as intensive burial plots (such as the site of the sports pitch at the north end of Abbey Field), while other areas to the south contain a far less dense distribution of burial groups (CAT Report 54; CAT Report 97; CAT Report 138). Roman burials have also been found during the current programme of evaluation in Areas C1X and C2X, in May 2004 (CAT Report 271).

- 4.6** There are also records of Anglo-Saxon burials in vicinity of Area J1 close to Mersea Road in the north-west area of Meeanee Barracks in 1938 (UAD event 935, TL 9993 2473; CAT Report 97).
- 4.7** Map evidence suggests that Area J1 was farmland in the 17th century. The Le Cateau Barracks were built in the early 1860s. Ordnance survey maps from 1874-6 show the rows of three parallel barrack blocks plus ancillary buildings. Indications are that there has been little development in this area during the subsequent period as these buildings are shown unchanged on MoD maps of 1949 (CAT Report 97).
- 4.8** A series of trial-trenches was excavated in 2002 within the area of the new garrison (Area J), located within the current excavation area (CAT Report 206). During the trenching, the remains of barrack buildings of Le Cateau Barracks were recorded in the positions shown on both the 19th- and 20th-century ordnance survey and MoD maps. In addition to the 19th-century buildings, a WW2 bunker was also identified in one of the 2002 trenches; these features have been identified on the MoD plan of 1949, and more are likely to be encountered as work continues.

5 The trial-trenching

5.1 Introduction (Figs 2-9)

Seventeen trenches were machine-cut under archaeological supervision in Area J1 (trenches J10-J26 or TJ10-TJ26). All trenches were 1.6m wide unless otherwise stated. Table 1 below gives grid co-ordinates for the ends of each trench, trench length, and heights above Ordnance Datum for modern ground-level and the level of natural subsoil. Next, a summary and list of contexts is given for each trench (section 5.2 below). This is followed by a general discussion of the archaeology in section 7.

Table 1: trench co-ordinates.

Trench no	Terminal co-ordinates	Trench length
TJ10	NE: 224586.24; 599232.78 SW: 224552.35; 599998.18	50m
TJ11	NW: 224553.36; 599260.95 SE: 224535.27; 599284.48	30m
TJ12	NE: 224511.43; 599204.84 SW: 224491.27; 599207.23	41m
TJ13	NE: 224474.03; 599235.26 SW: 224447.29; 599242.71	30m
TJ14	NW: 224502.61; 599194.35 SE: 224491.27; 599207.23	30m
TJ15	NE: 224477.62; 599132.66 SW: 224464.87; 599105.45	40m
TJ16	W: 224445.17; 599207.78 E: 224444.89; 599222.02	15m (double width)
TJ17	N: 224448.68; 599154.08 S: 224399.13; 599166.86	30m
TJ18	NE: 224421.86; 599226.67 SW: 224399.13; 599208.27	30m
TJ19	NE: 224414.89; 599276.45 SW: 224399.47; 599264.68	20m
TJ20	NW: 224405.64; 599291.78 SE: 224375.00; 599288.71	30m
TJ21	N: 224447.96; 599311.81 S: 224417.73; 599309.12	30m
TJ22	N: 224476.68; 599387.85 S: 224437.49; 599378.70	40m
TJ23	W: 224499.12; 599418.84 E: 224489.69; 599453.12	35m
TJ24	N: 224515.57; 599466.50 S: 224487.19; 599455.36	30m
TJ25	NE: 224523.07; 599316.93 SW: 224511.92; 599308.99	15m
TJ26	NE: 224544.19; 599191.84 SW: 224522.56; 599167.74	40m

5.2 Description of the archaeological sequence

This section gives an archaeological summary of each trench with a tabulation of context and finds dating information.

Trench J10: summary (Fig 2)

This trench was located on the north-west edge of the evaluation area. The majority of datable features were Roman. They included a metalled roadway (JF22), an associated roadside ditch (JF23), and another ditch (JF31) of unknown function. These features had been truncated by the modern foundation piers of the now-demolished stable blocks (JF24). The features were sealed by subsoil (JL2) and a layer of crushed brick and building materials (JL3) associated with the demolition of the stable blocks.

Table 2: Trench J10 – archaeology.

Feature or layer no	Type	Dated finds	Phase
JF22	Compacted gravel surface		Roman
JF23	Roadside ditch		Roman
JF31	Ditch		Roman
JF33	Modern foundations		modern

Trench J11: summary (Figs 2, 5-6)

This trench was located in an area of tarmac hard standing, used as a car park at the back of the remaining stable blocks. Five inhumation burials (JF11, JF16-JF17, JF20-JF21) were recorded in T.J11. One intact urned cremation burial (JF7) and a disturbed cremation burial (JF13) were also recorded in the trench. The other features identified in the evaluation trench were the grubbed-out remains of the modern foundation piers of the demolished parts of Cavalry Barracks (JF12).

Table 3: Trench J11 – archaeology.

Feature or layer no	Type	Dated finds	Phase
JF7	Urned cremation	Roman pottery	Roman
JF11	Inhumation burial	Roman pottery, Fe nails	Roman
JF12	Robbed-out footings		modern
JF13	Disturbed cremation	Roman pottery	Roman
JF16	Inhumation burial	Roman pottery, Fe nails	Roman
JF17	Inhumation burial	Roman pottery, Fe nails	Roman
JF18	Ditch	Peg-tile	post-medieval?
JF20	Inhumation burial	Roman pottery, Fe nails	Roman
JF21	Inhumation burial	Roman pottery, Fe nails	Roman
JF28	Pit	Brick	modern
JF32	Pit	Tile, Roman pottery	Roman

Trench J12: summary (Fig 2)

Trench J12 was located in a grassed area on the west side of the evaluation area. The only features recorded were modern, and consisted of two WW2 bunkers or air-raid shelters (JF26 and JF50) and a mortar and tile culvert (JF57).

Table 4: Trench J12 – archaeology.

Feature or layer no	Type	Dated finds	Phase
JF26	Bunker/air-raid shelter	-	modern
JF50	Bunker/air-raid shelter	-	modern
JF57	Culvert	-	modern

Trench J13: summary (Fig 2)

Trench J13 was located in a grassed area to the south-west of the partition wall of Le Cateau Barracks. The area was previously occupied by a range of terraced buildings forming part of the married quarters. No significant archaeological remains

were recorded, only the brick foundation piers of the demolished married quarters (JF27) and a natural glacial feature (JF44).

Table 5: Trench J13 – archaeology.

Feature or layer no	Type	Dated finds	Phase
JF27	Foundation piers	-	modern
JF44	Natural pit	-	undated

Trench J14: summary (Fig 3)

Trench J14 was situated to the south-east of TJ12, in a grassed part of the evaluation area. Nothing of archaeological significance was recorded. Identified features consisted of a WW2 bunker or air-raid shelter (JF25) and two natural glacial features (JF45 and JF49).

Table 6: Trench J14 – archaeology.

Feature or layer no	Type	Dated finds	Phase
JF25	Bunker/air-raid shelter	-	20 th century
JF45	Natural pit	-	undated
JF49	Natural glacial channel	-	undated

Trench J15: summary (Fig 3)

Trench 15 was located in the western corner of Area J1. No archaeological features were recorded in the evaluation trench, and nor were any associated finds or natural features.

Trench J16: summary (Fig 3)

Trench J16 was located in a grassed area towards the centre of the evaluation area to the west of TJ13. The trench was also double width to avoid services at the western end. No features of archaeological significance were identified in the main body of the trench, but a surface of modern granite cobbles was recorded at the eastern end (JF29). This is likely to have formed part of the original system of roads inside the former Cavalry Barracks.

Table 7: Trench J16 – archaeology.

Feature or layer no	Type	Dated finds	Phase
JF29	Cobbled roadway	-	modern

Trench J17: summary (Fig 3)

Trench J17 was located in a grassed area to the west of TJ16. Several archaeological features were recorded in the trench. These include two post-medieval ditches (JF41 and JF46). Evidence of Roman activity was confined to the southern end of the trench and consisted of a metallated surface within a hollow way or area of erosion (JF42) and an associated ditch (JF55). There was a concrete bunker (JF56) in the centre of the trench, which seemed to conform to the pattern of those observed in other evaluation trenches in the Area J1 evaluation area.

Table 8: Trench J17 – archaeology.

Feature or layer no	Type	Dated finds	Phase
JF41	Ditch	Coal, peg-tile	modern
JF42	Metallated surface	Tile	Roman

JF46	Ditch	Pot, tile, CuA cap badge	modern
JF55	Ditch	-	Roman?
JF56	Bunker/air-raid shelter	-	modern

Trench J18: summary (Figs 3, 9)

Trench J18 was excavated through the tarmac road surface to the west of the indoor riding school of Le Cateau Barracks. The archaeological features identified in the trench took the form of a series of ditches (JF30, JF38, JF40, JF54) which appears to be Roman, although peg-tile and the profile of JF40 suggest that this feature may have been re-cut in the post-medieval period. Other features include a glacial channel (JF31) and a modern soakaway.

Table 9: Trench J18 – archaeology.

Feature or layer no	Type	Dated finds	Phase
JF30	Ditch	-	undated
JF31	Glacial channel	-	undated
JF38	Ditch	-	undated
JF40	Ditch	Clay pipe, peg-tile	post-medieval
JF54	Ditch	Tile	Roman

Trench J19: summary (Figs 3, 8-9)

Trench J19 was located in the south-eastern paddock, to the west of Circular Road North. Recorded archaeological features consisted of ditches JF33 and JF35, both of which cut ditch JF34, and a small pit JF39. Ditches JF34 and JF35 contained Roman brick. JF33 and JF35 are interpreted as being parallel ditches defining two sides of a track, which cut an earlier ditch line, possibly also Roman in date. Ditch JF34 shares a profile and alignment with JF40 in TJ18. JF34 may be the same as one of the undated features in TJ18. The small pit (JF39), which contained a flint-tempered sherd, was cut by the eastern of the parallel ditches (JF35) which suggests a prehistoric date for it.

Table 10: Trench J19 – archaeology.

Feature or layer no	Type	Dated finds	Phase
JF33	Ditch	Tile	later Roman
JF34	Ditch	Roman brick/tile	earlier Roman
JF35	Ditch	Tile	later Roman
JF39	Pit	LIA pot	Bronze Age or Iron Age

Trench J20: summary (Figs 3, 7)

Trench J20 was excavated to the east of evaluation trench TJ19, in the south-eastern paddock to the west of Circular Road North. The archaeological remains consisted of ditches JF43, JF47, JF48 and JF58. Two of the ditches (JF43 and JF58) were parallel to one another, and probably defined two sides of a track. In addition to the ditches, there were two pits (JF59 and JF61); the former had heavily truncated ditch JF58, and the latter was located at the north end of ditch JF48, which contained a prehistoric flint-gritted sherd. Two urned cremations (JF51 and JF52) were also observed in TJ20, one of which (JF51) cut the terminal end of ditch (JF48) and the other pit JF61.

Table 11: Trench J20 – archaeology.

Feature or layer no	Type	Dated finds	Phase
JF43	Ditch	-	Roman
JF47	Ditch	Roman pot tile	Roman
JF48	Ditch	Prehistoric pot	prehistoric

JF51	Urned cremation	Pot	Roman
JF52	Urned cremation	Pot	Roman
JF58	Ditch	-	Roman
JF59	Pit	Peg-tile, residual Roman pot	modern
JF61	Pit	-	undated

Trench J21: summary (Fig 3)

Trench J21 was located in the central paddock to the west of Circular Road North. No archaeological features, finds or natural features were recorded. However, evidence of modern disturbance was observed throughout the evaluation trench.

Trench J22: summary (Fig 4)

Trench J22 was excavated to the east of TJ21, in the central paddock to the west of Circular Road North. The only archaeological feature recorded was a single, large post-medieval quarry pit (JF15), the edges of which lay beyond the confines of TJ22.

Table 12: Trench J22 – archaeology.

Feature or layer no	Type	Dated finds	Phase
JF15	Quarry pit	Peg-tile	post-medieval

Trench J23: summary (Figs 4, 8)

Trench J23 was located in the northernmost paddock to the west of Circular Road North. The archaeological remains consisted of robber trenches (JF2 and JF3), a partly robbed *in situ* wall foundation (JF4), and two pits (JF5 and JF6).

Table 13: Trench J23 – archaeology.

Feature or layer no	Type	Dated finds	Phase
JF2	Robber trench	Pot, tile, stone	Roman
JF3	Robber trench		
JF4	Wall foundation	Tile, stone	Roman
JF5	Pit	-	undated
JF6	Pit	Modern glass	modern

Trench J24: summary (Figs 4, 8)

Trench J24 was excavated to the east of TJ23, in the northernmost paddock to the west of Circular Road North. The archaeological remains consisted of a Roman robber trench (JF8), and a pre-Roman ditch (JF9) sealed by the robbed-out wall line JF8. There was a concrete bunker or air-raid shelter (JF1) towards the northern end of the trench.

Table 14: Trench J24 – archaeology.

Feature or layer no	Type	Dated finds	Phase
JF1	Bunker	Brick	modern
JF8	Robber trench	Pot, tile, stone	Roman
JF9	Ditch	Pot	LIA

Trench J25: summary (Fig 4)

Trench J25 was excavated through hard standing in between the two remaining stable blocks at the northern edge of the evaluation area. The only archaeological feature recorded in the evaluation trench was a single post-medieval quarry pit (JF10), the edges of which lay beyond the confines of TJ25.

Table 15: Trench J25 – archaeology.

Feature or layer no	Type	Dated finds	Phase
JF10	Quarry pit	Peg-tile, post-medieval pot	post-medieval

Trench J26: summary (Fig 4)

Trench J26 was located in a paddock at the western edge of the evaluation area. The only archaeological features recorded were two modern features: the foundation piers of the now-demolished stable blocks (JF36), and a large pit containing a large amount of rubble and modern material (JF37).

Table 16: Trench J26 – archaeology.

Feature or layer no	Type	Dated finds	Phase
JF36	Foundations	Brick	modern
JF37	Pit	Rubble, glass	modern

6 The finds

6.1 General

The finds are listed in Table 20 (Appendix) which gives descriptions and approximate dates for stratified finds. Summaries of the prehistoric pottery, Roman pottery, post-Roman pottery and the small finds follow below.

6.2 The prehistoric pottery

A total of 98g of prehistoric pottery was recovered from the evaluation trenches. Most sherds are heavily flint-tempered, which would suggest a Late Bronze Age or early Iron Age date. Most of the prehistoric material was recovered from the subsoil layer or from the upper fill of later features. The exceptions to this were one probably Late Iron Age sherd from JF24 (TJ10), and earlier prehistoric material from JF39 (TJ19) and JF48 (TJ20). This suggests that the prehistoric pottery from the site is mainly residual.

6.3 The Roman pottery

by Stephen Benfield

(Fabric descriptions are after *CAR 10*; Cam form numbers are after Hawkes & Hull 1947 and Hull 1958.) This report is based on spot dating of the evaluation pottery.

Approximately 1.5kg of Roman pottery was collected from the evaluation, including a number of vessels from burials, both cremations and inhumations. The assemblage is dominated by local Colchester products of 1st-/early 2nd- to mid to late 3rd-century date, with a very small quantity (two sherds) of imported samian. There is a general absence of pottery which can be securely dated to the late Roman period (mid-late 3rd to 4th century), though one sherd may be from the Hadham potteries (Colchester Fabric CH), and, if so, this would date to the later 3rd or more probably the 4th century.

Almost all the Roman pottery consists of local coarse wares. Fabrics represented are local coarse grey wares (fabric group GX), coarse oxidised wares (fabric group DJ), black-burnished ware category 2 (BB2, fabric group GB) and a single sherd from a heavily-tempered large storage jar (fabric group HZ). There is also one sherd which is probably of local Colchester late colour-coat ware (Fabric CZ). Amongst this material there are two grey ware bowl types which can be dated to the 1st-early 2nd century (Cam 218 & Cam 221). Three pottery forms date from the 2nd to 3rd centuries. In local grey ware fabrics, almost all of the identified jar forms are of Cam 268 (mid 2nd-late 3rd/early 4th century), with one example of the earlier jar form Cam 266 (1st-early 2nd century). In black-burnished ware category 2, identified forms are a Cam 37A bowl (early 2nd-early 3rd century) and Cam 278 jars (early 2nd-mid-late 3rd century). Locally-made flagons are also represented, though no

vessel form types could be identified amongst these. Imported wares consist entirely of samian, with one sherd from a South Gaulish Drag form 18 plate (1st century) and a base sherd of 2nd- to earlier 3rd-century date.

The pottery grave goods from the cremations consist of a Cam 266 jar (1st-early 2nd century) with burial JF52, and two Cam 268 jars (mid 2nd-late 3rd/early 4th century) deposited one each with burials JF7 and JF51. The cremation JF13 had been disturbed and the pottery includes sherds from a number of vessels. These are the sherd from the 1st-century Drag form 18 plate (listed above), the possible sherd of Fabric CZ (listed above) and grey ware sherds possibly from a Cam 221 bowl (1st-early 2nd century). This pottery suggests that the burial is possibly of 1st- to early 2nd-century date, though the possible sherd in Fabric CZ, if it is of this fabric, would require a date after the early 2nd century. The pottery recovered from the inhumations was recovered from the grave backfill. Pottery from the grave fill of JF16 includes sherds from a Cam 268 jar (mid 2nd-late 3rd/early 4th century) and possibly a sherd of Hadham ware (later 3rd-4th century). Pottery from the grave fill of JF20 includes sherds from two Cam 278 jars (BB2, Fabric GB), one of which is a small or miniature vessel, and these date to the 2nd to mid-late 3rd century.

In summary, the small quantity of Roman pottery is dominated by local coarse wares. Overall there is no Roman pottery that need necessarily be pre-Flavian (pre-AD 69) in date and there are almost no pottery types which appear at Colchester from the mid 3rd century onwards, ie no Nene Valley or Oxford wares; however, one sherd may be from the Hadham potteries, which supplied Colchester with pottery from the later 3rd century, but is more typical of the 4th century. Almost all of the pottery could be accommodated between a date range of the later 1st to mid 3rd century.

6.4 The post-Roman pottery

by Howard Brooks

This is the report on 85g of post-Roman pottery from the evaluation. Fabrics present are as follows (after Cunningham 1985 and *CAR 7*): fabrics 13 (early medieval ware); 21a (Colchester-type ware); 45 (unspecified stoneware); and 45d (Frechen stoneware). Pottery weights are listed below in Table 17.

Table 17: weight of fabric types per bag and context.

Bag	Cont	Fabrics					Bag date
		Medieval greyware	13	21a	45	45d	
04	F10		15			11	12th century
22	F28		0	22		0	16th-17th century
24	F46	8	20	5	3	9	16th-17th with residual
	total		35	27	3	20	85

This is a very small group of material. It is atypical of Colchester post-Roman pottery assemblages in the sense that modern ironstones (Fabric 48d) and post-medieval red earthenwares (Fabric 40) are entirely absent, whereas contemporary German stonewares are present.

6.5 The small finds

by Nina Crummy

Table 18: catalogue of small finds.

SF	Find no	Feature or layer	Trench	Material	Identification	Functional category	Date
1	21	U/S	-	CuA	Button	-	modern
2	18	JF34	TJ19	Fe	Knife blade	-	Roman
3	29	JF46	TJ17	CuA	Cap badge	-	modern

Note: the functional category number codes refer to *CAR 2*.

7 Discussion

The Area J1 evaluation consisted of 581m of trial-trenching and involved the recording of 61 archaeological features.

Prehistory

Evidence for a limited amount of prehistoric activity was recorded. Ditch JF48 in TJ20 contained fragments of flint-tempered pottery, as did pit JF39 in TJ19, and a probable LIA sherd from JF9 (TJ24). Apart from those three features, a number of other prehistoric sherds were recovered from the ploughsoil or upper fills of other trenches. All of this material is presumed to be residual, and the heavily flint temper of the pottery is indicative of a Late Bronze Age or Early Iron Age date for the material. The presence of this pottery suggests that there had been some prehistoric activity around the evaluation area.

Roman

The majority of archaeological features were of Roman date, and most were concentrated in trenches TJ11, TJ20, TJ23 and TJ24. Other Roman features were recorded in trenches TJ10, TJ17, TJ18 and TJ19.

In trenches TJ18, TJ19 and TJ20, a series of ditches of similar profile and fill was observed (JF54, JF40, JF34, JF43, JF58, JF47). These ditches are of a type which are widely observed across the garrison site and are interpreted as field boundary and trackway ditches associated with the Iron Age *oppidum* and the subsequent Roman occupation. The pottery recovered from the ditches JF34 and JF47 indicates that the ditches are more likely to have formed part of a Roman field system than an Iron Age one. The remaining ditches JF33 and JF35 are deeper and more substantial than the boundary ditches and are aligned parallel to each other, forming a trackway which was probably associated with the field system defined by the boundary ditches.

In addition to these boundary ditches and trackways, Roman activity also included two metallised trackways (JF22 in TJ10 and JF42 in TJ17). Both of these trackways have associated ditches aligned parallel to them. JF22 appears to share a common east-west alignment with the road surface that was observed in the excavations in Area C1 carried out in June 2004 (CAT Report 361). Ditch JF55, adjacent to hollow way JF42, appears to follow a north-south alignment, although only a small fragment of it was observed within TJ17.

Six inhumations were concentrated to the south of trackway JF22 in TJ11 (JF11, JF16, JF17, JF19, JF20, JF21) and two cremations burials (JF7 and JF13). None of the inhumations were fully excavated in the evaluation phase; they were recorded and marked to be excavated during the next phase of the work. Pottery from the upper fills of these inhumations dates them to the 2nd-mid/late 3rd centuries. The two cremations, one of which had been badly truncated by modern foundations (JF13), were both lifted. The urns containing the cremated bone indicate a 1st- to early 2nd-century date. This concentration of burials is close to the major Roman cemetery at Butt Road (Crummy & Crossan 1993) and may have formed an outlying part of the Butt Road cemetery complex.

A further scatter of cremations (JF51 and JF52) was recorded in TJ20. Both of these burials were contained within urns which were mid 2nd-late 3rd/early 4th century in date. The cremations were again located close to cremation burials on the Abbey Field (to the east of the evaluation area; CAT Report 138) and the two burials in TJ20 may be associated with this scatter.

The final concentration of Roman activity was observed in TJ23 and TJ24. The robbed line of a Roman wall (JF2) was observed, the foundation of which (JF4) was in places *in situ*. The wall line appears to share the alignment of that seen in excavations in Area C2 in August 2004 (CAT Report 361), and may represent a single precinct or a series of smaller enclosures all constructed on the same east-west alignment. A further robbed wall line JF3, on a north-south alignment, butted against JF4. This may suggest a structure or walled plot on the alignment of the wall line observed in Area C2, rather than a continuous precinct. This robbed wall line was also located in an evaluation trench during the initial 2002 evaluation work.

Anglo-Saxon and medieval

No evidence of Anglo-Saxon or medieval activity was noted in any of the evaluation trenches in Area J1.

Post-medieval

Evidence for post-medieval activity took the form of large quarry pits JF10 (which filled TJ25) and JF15 (which filled TJ22). Material recovered from these features included peg-tile and pottery of the 16th-17th centuries. This suggests that the quarry pits pre-date the barrack buildings, and are more likely to be associated with gravel extraction for various pre-garrison construction projects in the town.

The evaluation revealed widespread modern disturbance in the form of foundations and services of the now-demolished barracks, stables and married quarters of the Cavalry Barracks. In addition to the building remains, a number of WW2 bunkers were discovered. All of them were made of prefabricated concrete panels, the majority having the same ground-plan as those excavated in Area C2 in August 2004.

Table 19: number of features per trench.

	LBNA/EIA	Roman	medieval	post-medieval	modern	undated	natural
TJ10		3			1		
TJ11		9			2		
TJ12					4	1	1
TJ13					1		1
TJ14							
TJ15				1			
TJ16					1		
TJ17		2		1	2		
TJ18		2				2	1
TJ19	1	3				2	
TJ20	1	5			1		
TJ21					1		
TJ22				1			
TJ23		3			1		1
TJ24	1	2			1		
TJ25				1			
TJ26					2		
Total	3	25	-	4	17	5	4

8 Acknowledgements

The project was commissioned and funded by Taylor Woodrow. The project consultants were RPS. The project was monitored by Martin Winter, CBCAO. RPS provided EOD cover.

The fieldwork was supervised by Ben Holloway and carried out by Catriona Bell, Laurence Driver, Nicky Garland, Mariusz Gorniak, Chris Lister, Nigel Rayner, David Ross, Emma Sandford and Patrick Spencer.

9 References

- | | | |
|--|------|---|
| CAR 2 | 1983 | <i>Colchester Archaeological Report 2, The Roman small finds from excavations in Colchester, 1971-9</i> , by Nina Crummy |
| CAR 7 | 2000 | <i>Colchester Archaeological Report 7, Post-Roman pottery from excavations in Colchester, 1971-85</i> , by John P Cotter |
| CAR 9 | 1993 | <i>Colchester Archaeological Report 9, Excavations of Roman and later cemeteries, churches and monastic sites in Colchester, 1971-88</i> , by N Crummy, P Crummy and C Crossan |
| CAR 10 | 1999 | <i>Colchester Archaeological Report 10, Roman pottery from excavations in Colchester, 1971-86</i> , by R P Symonds and S Wade, ed by P Bidwell and A Croom |
| CAT Report 54 | 2000 | An archaeological evaluation at the Garrison sports ground, Circular Road North, Colchester, CAT archive report, by Howard Brooks |
| CAT Report 97 | 2000 | An archaeological desk-based assessment of the Colchester Garrison PFI site, CAT archive report, by Kate Orr |
| CAT Report 138 | 2001 | Archaeological excavations at the Garrison sports pitch, Circular Road North, Colchester, Essex (Abbey Field), CAT archive report, by Carl Crossan |
| CAT Report 184 | 2002 | An archaeological evaluation by fieldwalking and geophysical survey at Colchester Garrison PFI site, Colchester, Essex: January-March 2002, CAT archive report, by Howard Brooks |
| CAT Report 206 | 2002 | An archaeological evaluation by trial-trenching on Areas A, B, D, GJ, H, J, N, V and YP at the Colchester Garrison PFI site, Colchester, Essex: June-July 2002, CAT archive report, by Howard Brooks |
| CAT Report 271 | 2002 | An archaeological evaluation by trial-trenching at Area A, C1X and Area C2X of the Garrison Urban Village, Colchester, Essex: August 2004, CAT archive report, by Kate Orr |
| CAT report 361 | 2006 | Assessment Report on the archaeological investigations carried out on Areas C1, C2, E, J1, O, Q and S1 of the Alienated Land, Colchester Garrison, including the Time Team trenches and the Alienated Land watching brief, CAT Report, by Laura Pooley, Ben Holloway, Philip Crummy and Rob Masefield |
| Colchester Museums
(Colchester Borough Council) | 2002 | <i>Guidelines on standards and practices for archaeological fieldwork in the Borough of Colchester</i> |
| Colchester Museums
(Colchester Borough Council) | 1999 | <i>Guidelines on the preparation and transfer of archaeological archives to Colchester Museums</i> |
| Crummy, N, & Crossan, C | 1993 | 'Excavations at Butt Road Roman cemetery 1976- |

		9, 1986, and 1989', <i>CAR</i> 9 , 4-163
Cunningham	1985	'A typology for post-Roman pottery in Essex' 1-16 in Cunningham C and Drury, PJ, <i>Post-medieval sites and their pottery: Moulsham Street, Chelmsford</i> . Chelmsford Archaeological Trust Report 5 , CBA Research Report 54 .
Hawkes, C F C, & Hull, M R	1947	<i>Camulodunum, first report on the excavations at Colchester 1930-39</i> , Research Committee of the Society of Antiquaries of London, 24
Hull, M R	1958	<i>Roman Colchester</i> , Research Committee of the Society of Antiquaries of London, 20
Institute of Field Archaeologists (IFA)	1999	<i>Standard and guidance for an archaeological field evaluation</i>
RPS	2002	<i>The new garrison composite environmental statement</i>
RPS	2004a	<i>Research design for archaeological investigations for the alienated land, Colchester Garrison</i>
RPS	2004b	<i>WSI for archaeological evaluation and excavation of the alienated land, Colchester Garrison – Areas C1 and C2.</i>
Shimmin, D	1998	'Late Iron Age and Roman occupation at Kirkee McMunn barracks, Colchester'. <i>Essex Archaeology & History</i> 29 , 260-68.

10 Glossary and abbreviations

AOD	above Ordnance Datum
BA	Bronze Age (c 2000 BC-700 BC)
<i>CAR</i>	<i>Colchester Archaeological Report</i>
CBCAO	Colchester Borough Council Archaeology Officer
CBM	ceramic building material
context	specific location of finds in an evaluation or excavation
CuA	copper-alloy
cut	an unspecified hole in the ground
ditch	a linear cut, usually to define the edge of a field
EHCR	Essex Heritage Conservation Record, held by Essex County Council
EIA	Early Iron Age
EOD	Explosive Ordnance Disposal
Fe	iron
IA	Iron Age (7th century BC to Roman invasion of AD 43)
LBA	Late Bronze Age
LIA	Late Iron Age (c 200 BC-AD 43)
medieval	from AD 1066 to Henry VIII
modern	19th and 20th centuries
NGR	National Grid Reference
pit	a hole dug principally for the disposal of rubbish
post-medieval	after Henry VIII and to the end of the 19th century
prehistoric	pre-Roman, or generally the years BC
residual	something out of its original context (ie a Roman coin in a Victorian pit)
Roman	the period from AD 43 to c AD 430
RPS	RPS Planning, Transport & Environment
Anglo-Saxon	the period from c AD 430 to AD 1066
septaria	local stone used as building material in the Roman period
SF	small find
<i>tegula</i>	Roman roof-tile
<i>tessera</i>	red baked clay cube from Roman floor
UAD	Urban Archaeological Database, held by Colchester Museums

11 Archive deposition

The finds, paper and digital archive are held by the Colchester Archaeological Trust at 12 Lexden Road, Colchester, Essex CO3 3NF, but will be permanently deposited with Colchester Museums under accession code 2004.296.

© Colchester Archaeological Trust 2004

Distribution list:

John Philips of Taylor Woodrow

Rob Masefield of RPS

Martin Winter, Archaeology Officer for Colchester Borough Council

Essex Heritage Conservation Record



Colchester Archaeological Trust

12 Lexden Road,
Colchester,
Essex CO3 3NF

tel.: (01206) 541051

tel./fax: (01206) 500124

email: archaeologists@catuk.org

Checked by: *Philip Crummy*

Date: 25.10.04

Appendix

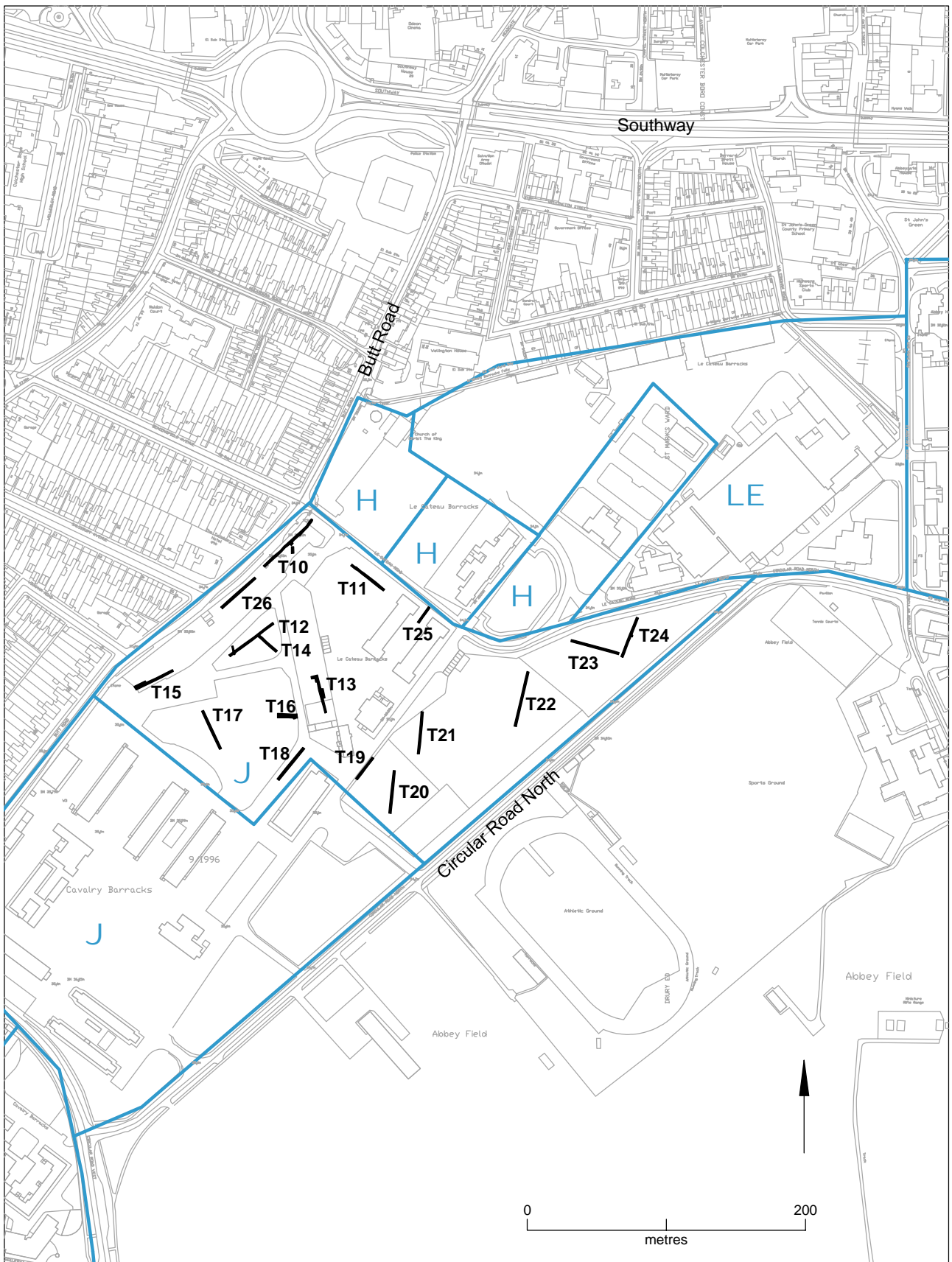
Table 20: finds list.

Finds bag no	Context	Trench	Detail
4	JF10	TJ25	12th century
5	JF11	TJ11	Roman pot
5	JF11	TJ11	Animal bone
5	JF11	TJ11	CBM
7	JF13	TJ11	Roman pot
7	JF13	TJ11	Prehistoric pot
8	JF13	TJ11	Roman pot, including samian ware
9	JF13	TJ11	Prehistoric pot
9	JF13	TJ11	Prehistoric pot
10	JF16	TJ11	Roman pot
10	JF16	TJ11	Roman pot
11	JF16	TJ11	Prehistoric pot
11	JF16	TJ11	Burnt flint
41	JF16	TJ11	Roman pot
41	JF16	TJ14	Cremated bone
41	JF16	TJ11	Roman pot
20	JF20	TJ11	Roman pot
20	JF20	TJ11	CBM
22	JF28	TJ11	16th-17th century
22	JF28	TJ11	Post-medieval pot (Fabric 21a)
22	JF28	TJ11	CBM
22	JF28	TJ11	Post-medieval pot
26	JF30	TJ18	CBM
23	JF32	TJ11	Prehistoric pot
23	JF32	TJ11	Roman pot
20	JF34	TJ11	CBM
17	JF35	TJ11	CBM
16	JF39	TJ11	Prehistoric pot
43	JF40	TJ18	Roman pot
44	JF40	TJ18	Animal bone
45	JF40	TJ18	Clay pipe
45	JF40	TJ18	CBM
46	JF44	TJ17	Roman pot
24	JF46	TJ17	16th-17th century with residual
24	JF46	TJ17	Post-medieval pot
46	JF46	TJ17	Prehistoric pot
46	JF46	TJ17	Animal bone
46	JF46	TJ17	Oyster shells
46	JF46	TJ17	CBM
27	JF47	TJ 20	Roman pot
27	JF47	TJ 20	CBM
27	JF47	TJ 20	Roman pot
28	JF48	TJ 20	Prehistoric pot, Roman pot
28	JF48	TJ 20	CBM
42	JF54	TJ 18	CBM
48	JF59	TJ 20	Roman pot
48	JF59	TJ 20	Animal bone
48	JF59	TJ 20	CBM
47	JL2	TJ 20	Roman pot
47	JL2	TJ 20	CBM
49	JL2	TJ 20	Prehistoric pot
15	JL4	TJ 11	Roman pot
15	JL4	TJ 11	Prehistoric pot
15	JL4	TJ 11	Animal bone
15	JL4	TJ 11	Roman pot
15	JL4	TJ 11	Prehistoric pot

Essex Heritage Conservation Record/ *Essex Archaeology and History*

Summary sheet

Site address: Area J1, Garrison Urban Village, Colchester, Essex	
Parish: Colchester	District: Colchester
NGR: TL 9925 2445	Site code: Museum accession code 2004.296
Type of work: Evaluation	Site director/group: Colchester Archaeological Trust
Date of work: September 2004	Size of area investigated: 581m trenches
Location of finds/curating museum: Colchester Museums	Funding source: Developer
Further seasons anticipated? Excavation phase proposed for late 2004	Related EHCR nos: 11891, 12616, 11876-11877
Final report: CAT Report 288 and summary in EAH	
Periods represented: LBA/EIA, LIA, Roman	
<p>Summary of fieldwork results: <i>Seventeen trenches were excavated, totalling 581m of trenching. Sixty-one features were recorded. Apart from modern disturbance and post-medieval ditches, the features dated to the Late Bronze Age or Early Iron Age, the Late Iron Age, and (mainly) the Roman period. Evidence for Roman activity was concentrated in trenches TJ10, TJ11, TJ17, TJ19, TJ20, TJ23 and TJ24; this included demolition material and robbed-out wall lines on a similar alignment to those observed in Area C2, a metalled road sharing the alignment of that observed in Area C1, and a number of inhumation and cremation burials. A number of boundary ditches and trackway ditches were also recorded.</i></p>	
Previous summaries/reports: None	
Author of summary: Howard Brooks	Date of summary: 22nd October 2004



© Crown copyright. All rights reserved. Licence number 100039294.

Fig 1 Location of trenches.

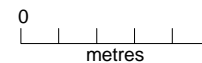
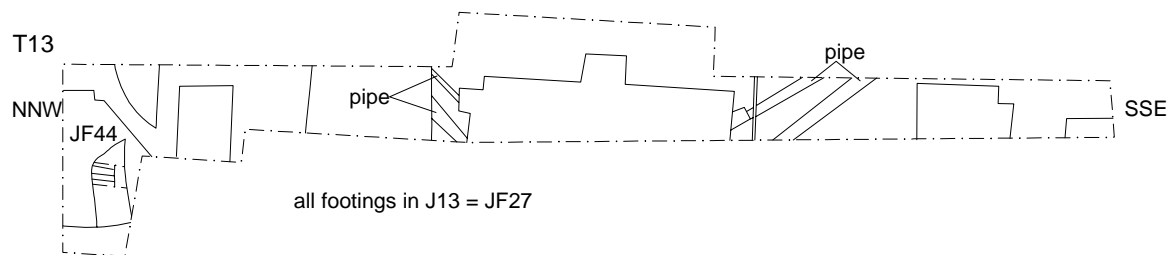
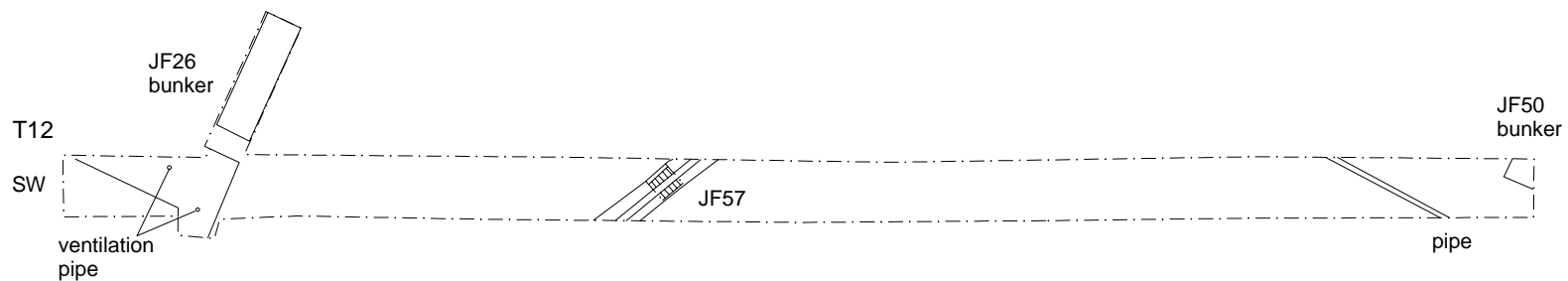
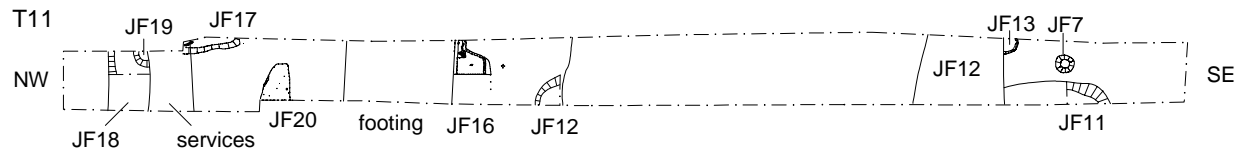
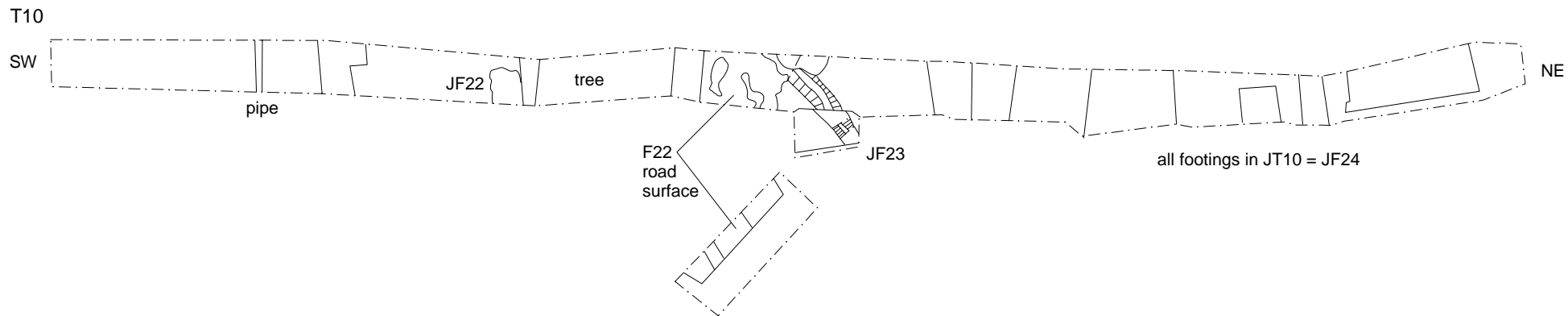


Fig 2 Plan of trenches: T10-T13.

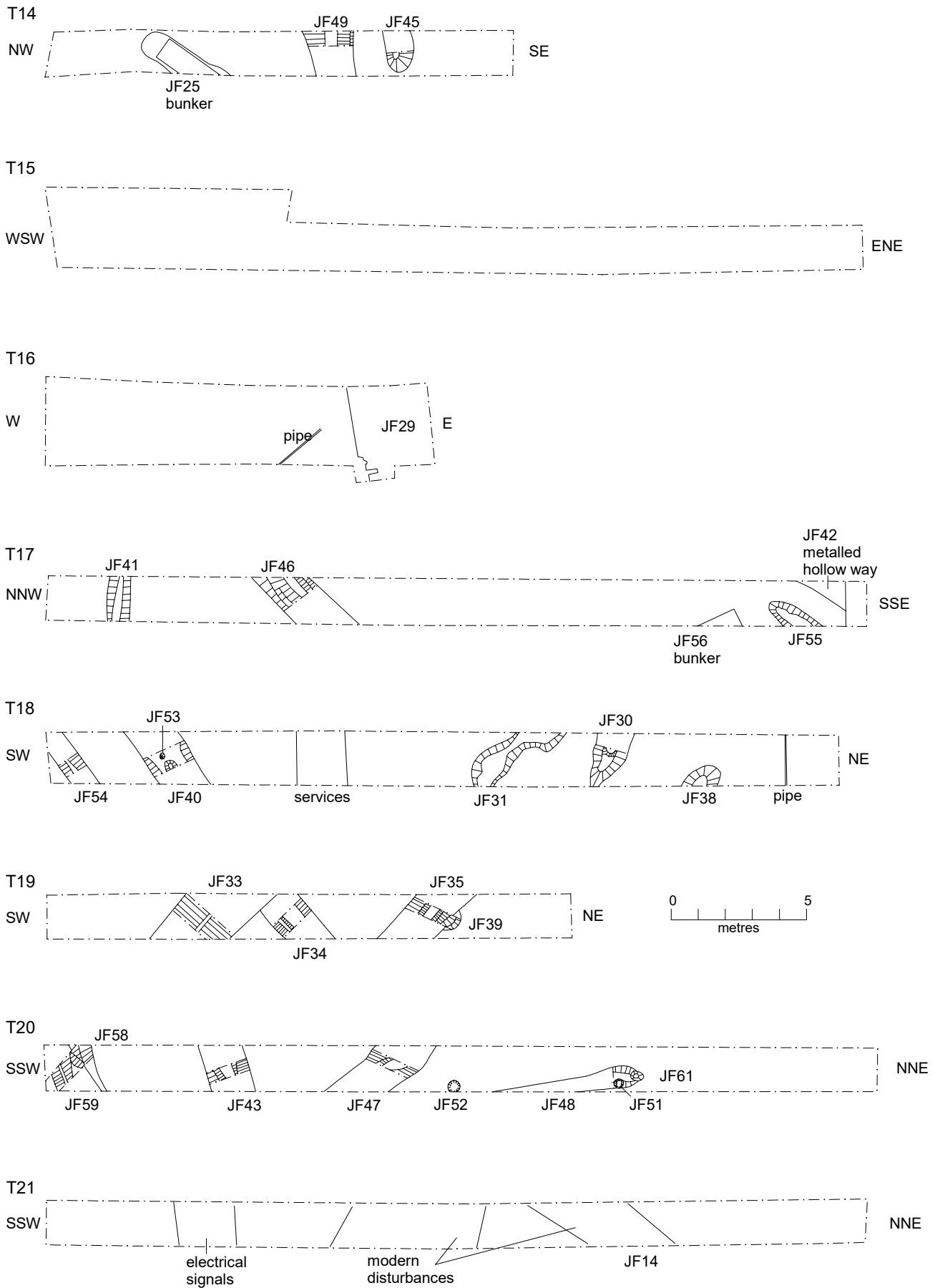


Fig 3 Plan of trenches T14-T21.

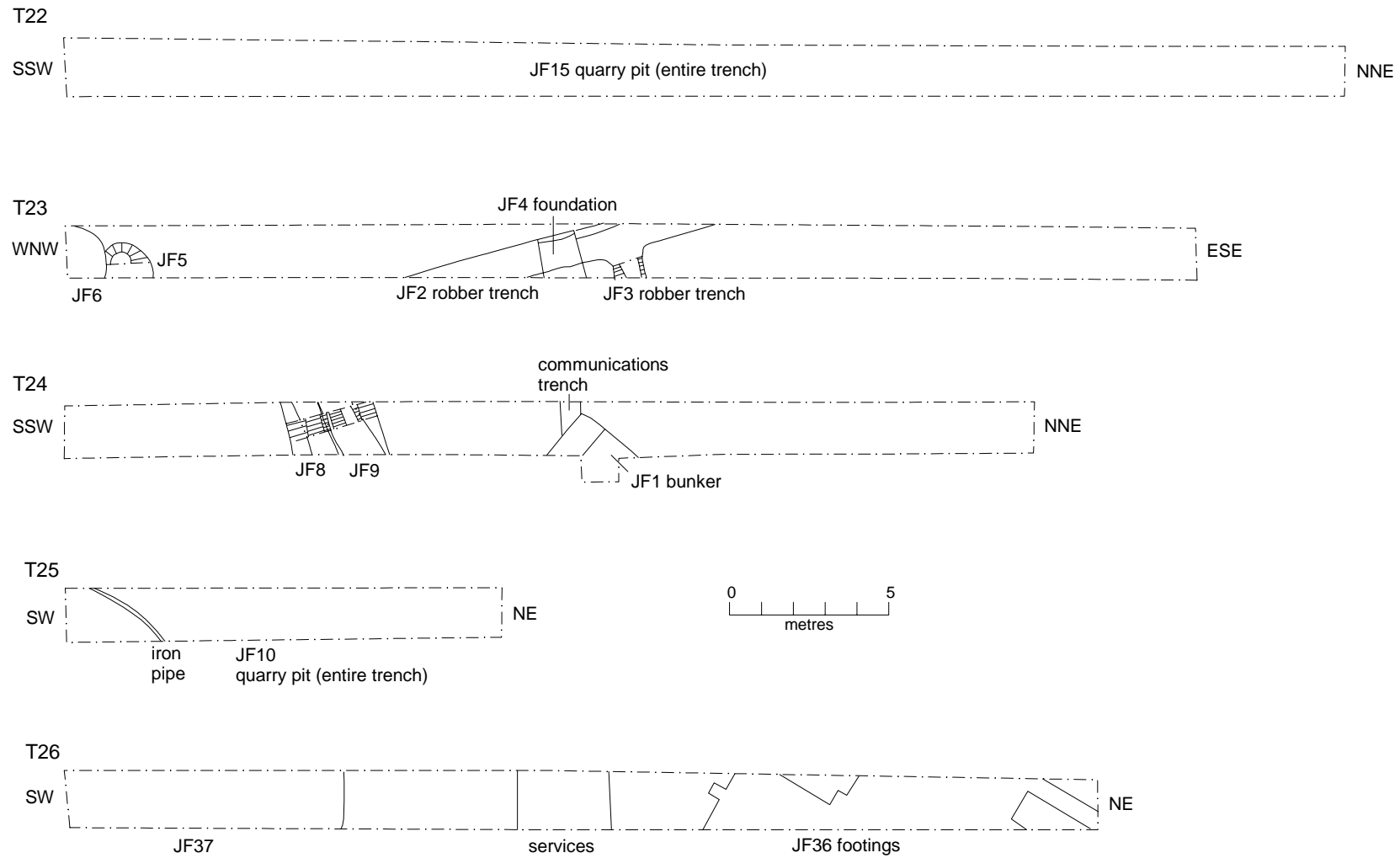


Fig 4 Plan of trenches T22-T26.

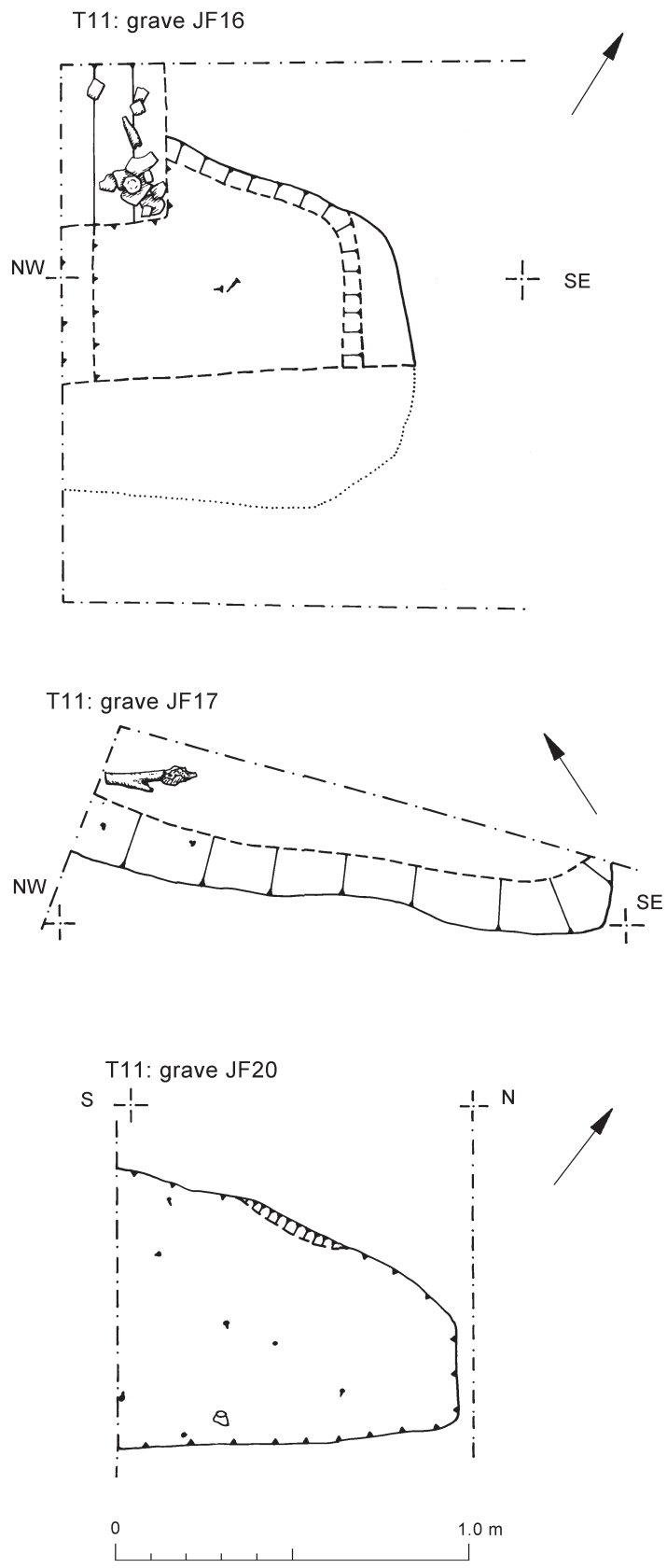
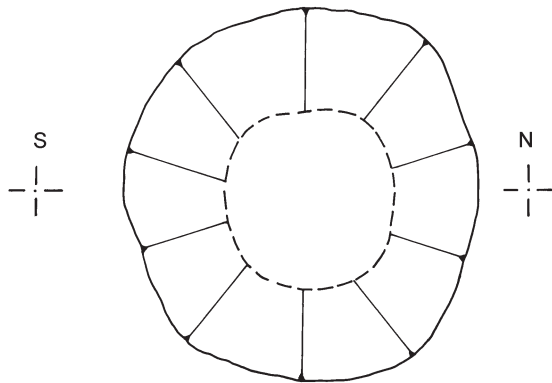
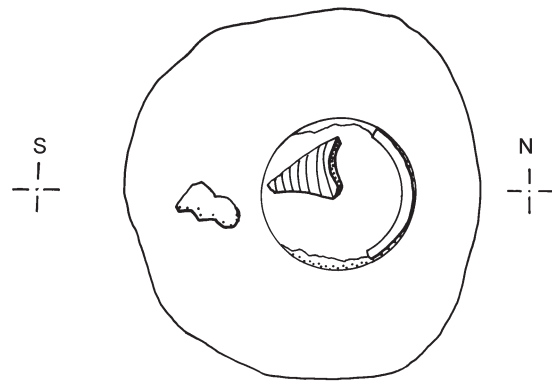
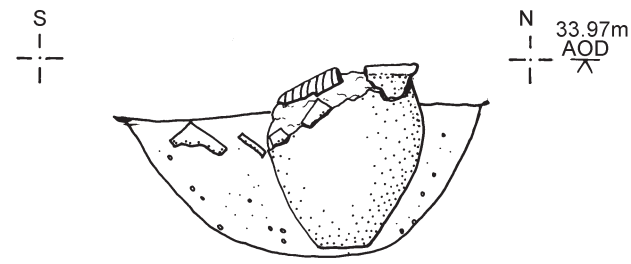


Fig 5 Plan of graves JF16, JF17 and JF20.



T11: cremation JF7



Fig 6 Section and plans of cremation JF7 (T11).

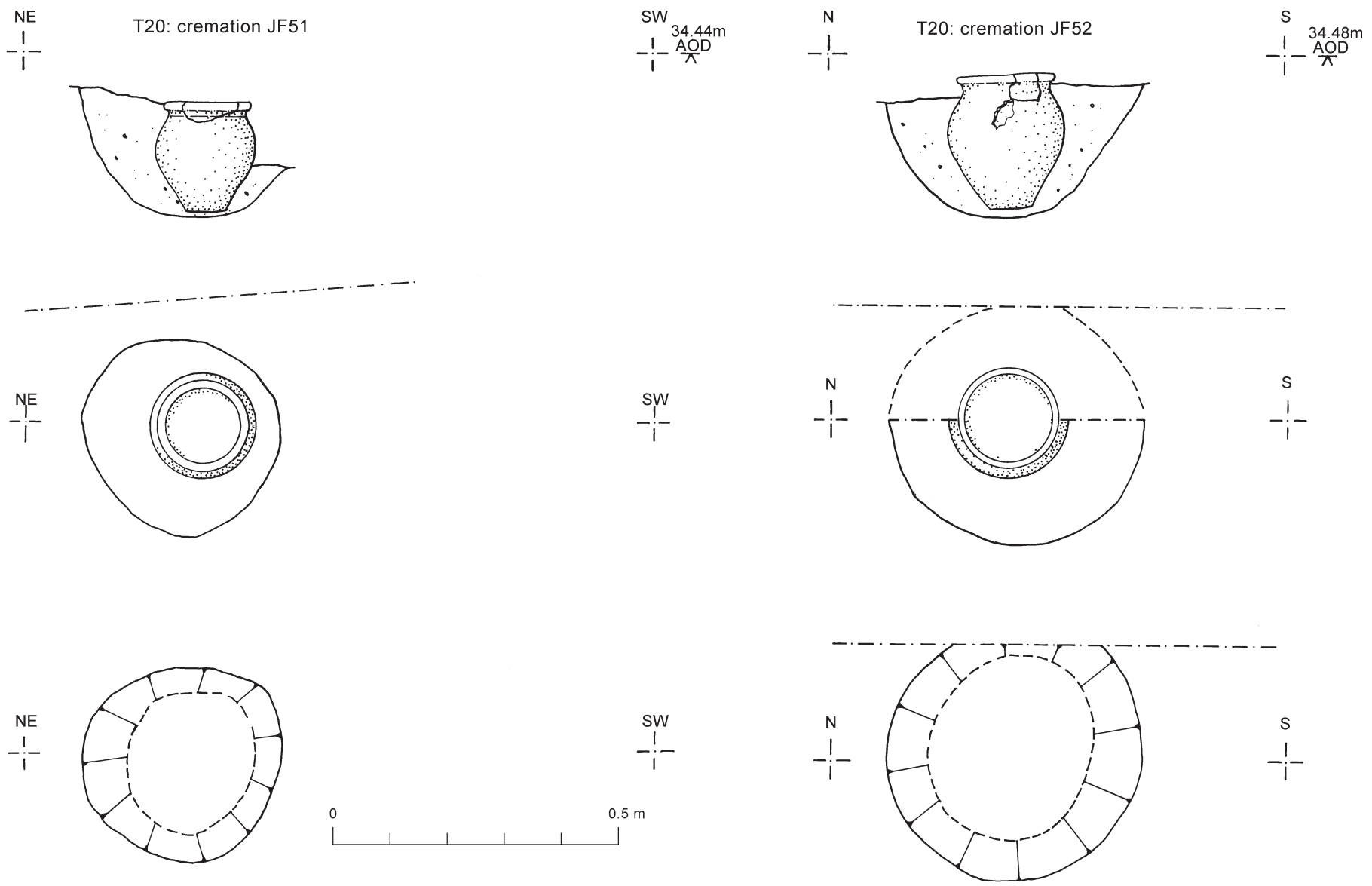


Fig 7 Section and plans of cremations JF51, JF52 (T20).

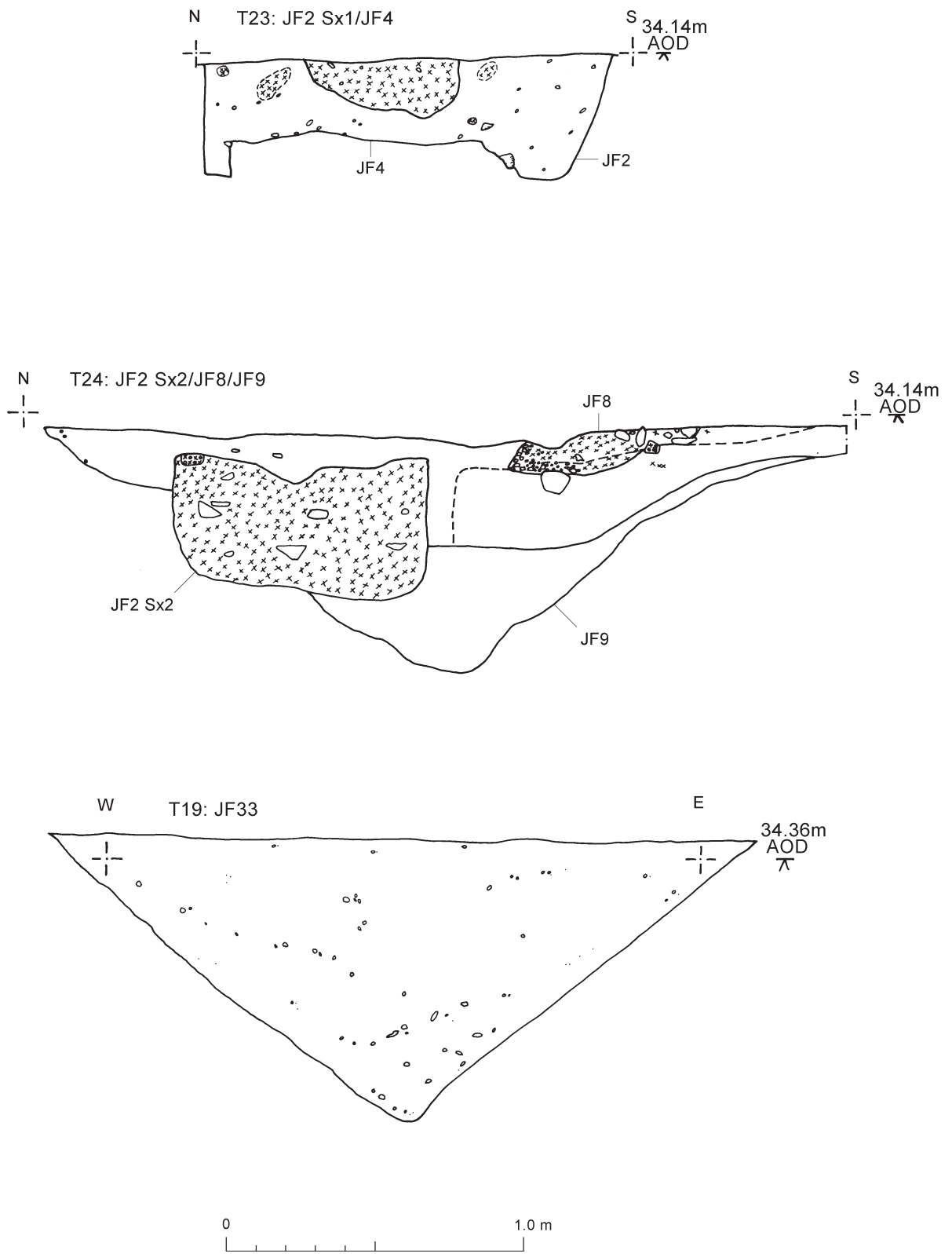


Fig 8 Section sheet 1.

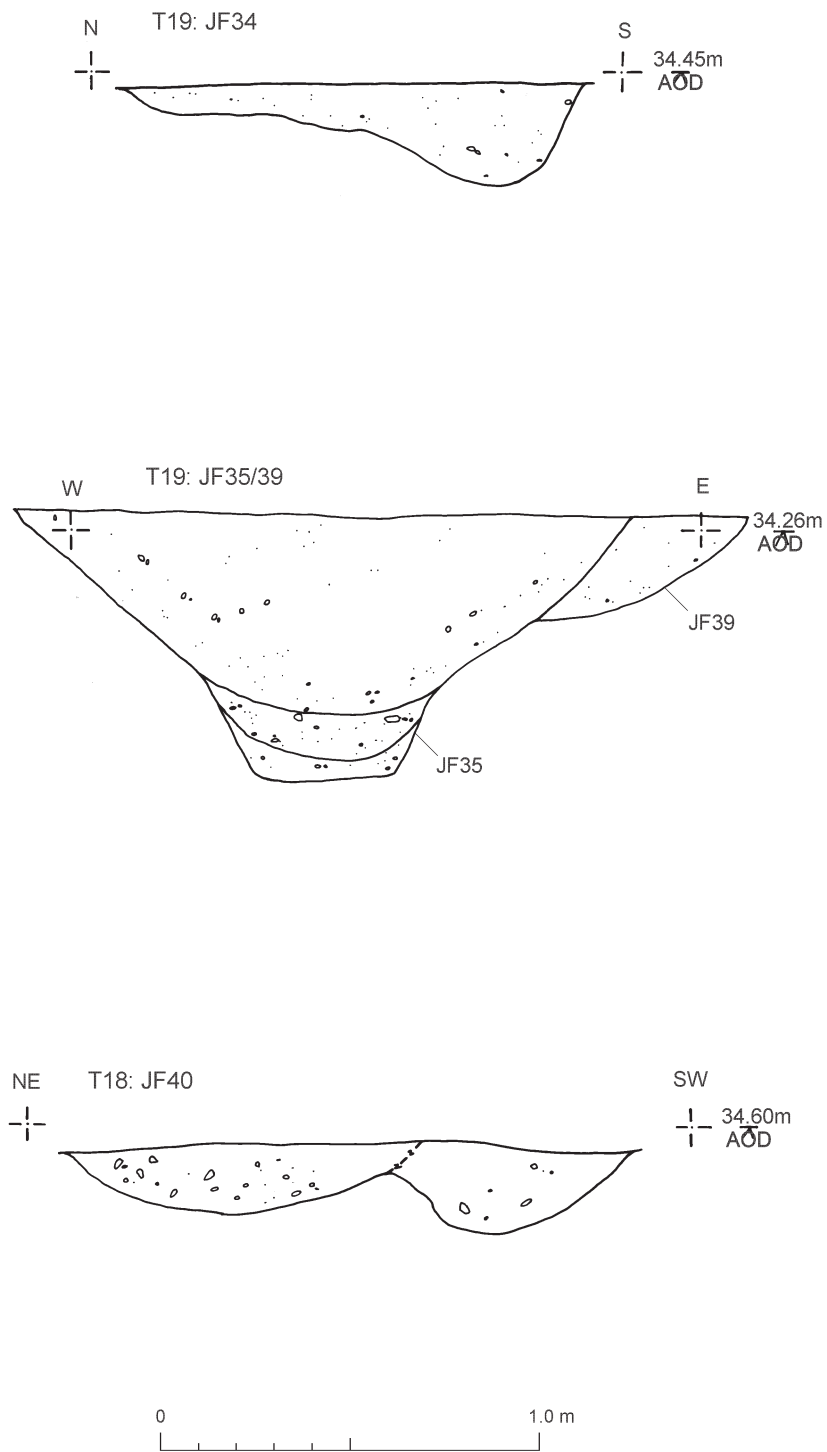


Fig 9 Section sheet 2.